

TPXTable component

TPXTable is equivalent to TTable, **but automatically deletes all linked records in all detail tables** (linked with referential integrity) by calling the BDE directly when you delete the master record. So, You don't need to place detail tables into the form and delete detail records manually. The master table must be Paradox table.

The component has one new boolean property: **CheckDelOp** (default value is False).

False don't check the master table's cascaded delete property – always delete detail records.

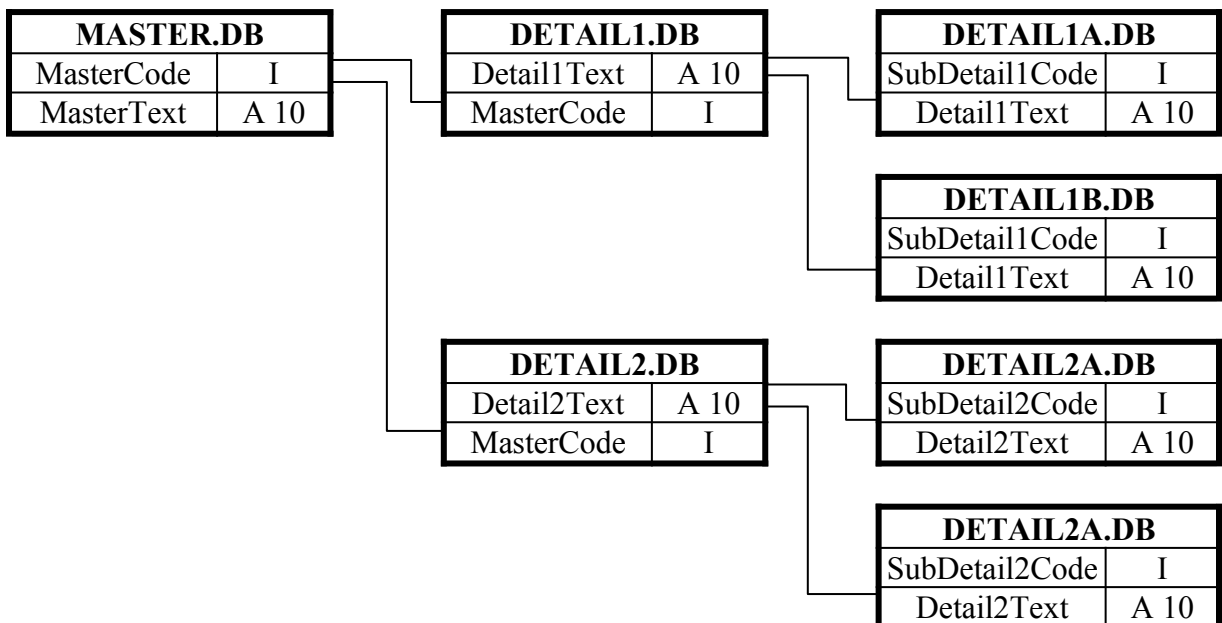
True delete detail records if the table's cascaded delete property is RintCascade.

Leave this property False – I don't know why, but the cascaded delete property of a master table is never RintCascade...

You can use this component **FREE**. If You have any question, or note please send it to me!

With this component You get a demo program, so You can test it. Install the component. Make an alias with the name '**PROBA**' (it means 'test'), and place the database into the related directory. Then run TPXDEMO. Delete some master or detail records, and see, what happens (You can see all the remained records, if You check the Show all swithes)...

The demo database contains one master, two detail and four sub-detail tables:



Happy Paradoxing!

László Kertész

72713,3110